

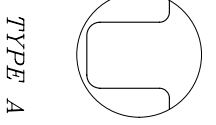
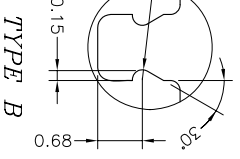
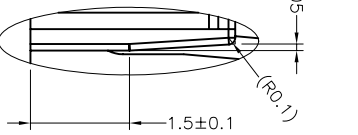
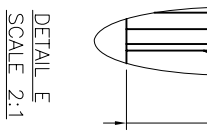
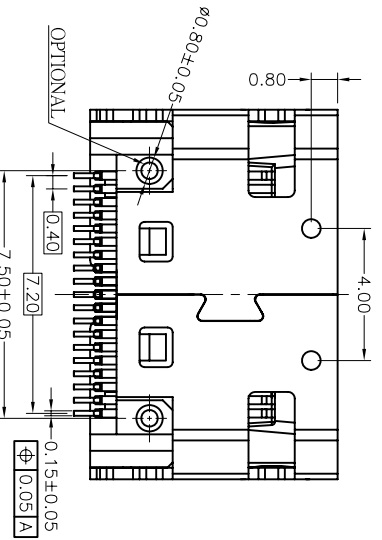
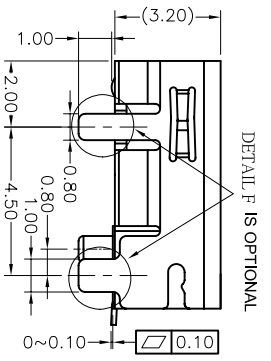
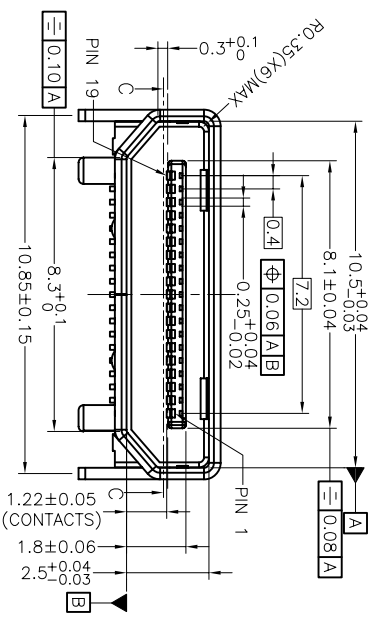
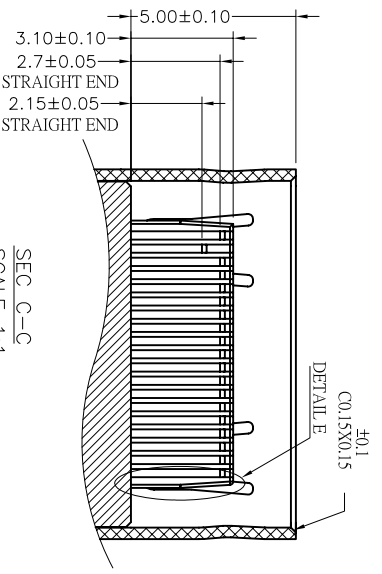
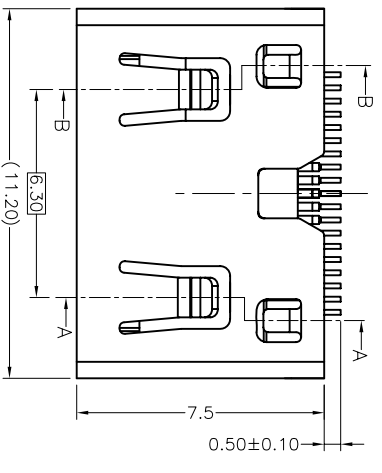
REV	ZONE	LTR	DESCRIPTION	DATE	REVISER	APPD
02	C6	A	CHANGE SHELL PLATING	10/13/06	Yip	

ORDERING INFORMATION

60 U 019 S-3 * 0 * - B *
 (2) (3) (4) (5) (6) (7) (8) (9) (10)

- SERIES NO.
- 60: HDMI CONNECTOR, TYPE C
TAL CONSTRUCTION TYPE
- U: SMT TYPE
- NUMBER OF PIN
019: 19 POSITIONS
- CONTACT & CONNECTING TYPE
- SOCKET
- COLOR CODES:
3: BLACK
- CONTACT PLATING
- GOLD FLASH PLATED OVER 30u" NICKEL UNDERPLATING
- 15u" GOLD PLATED IN CONTACT AREA
AND GOLD FLASH PLATED IN SOLDER AREA
OVER 50u" NICKEL UNDERPLATING
- 30u" GOLD PLATED IN CONTACT AREA
AND GOLD FLASH PLATED IN SOLDER AREA
OVER 50u" NICKEL UNDERPLATING
- SHELL CONSTRUCTION
- SOLDER TAIL IS TYPE A & THROUGH HOLE TYPE
1: SOLDER TAIL IS TYPE B & THROUGH HOLE TYPE
- SHELL PLATING
- N: SOLDERABLE NICKEL PLATED
L: 3u" GOLD MINI ALL PLATED
- SUFFIX NO.1
- A: WITH FREERPORT LOGO
B: WITHOUT LOGO
- SUFFIX NO.2
- HOUSING WITHOUT POST
- HOUSING WITH POST

RoHS Compliant



MATERIAL	FINISH	TOLERANCE UNSPECIFIED	ANGLE	DRAWN	DESIGNER	CHECKED	APPROVED	NAME	SCALE	UNIT	SHEET
		± 0.15 ± 0.20 ± 0.30	± 1°	leaster	10/13/06	leaster	10/13/06	HDMI RECEPTACLE, TYPE C PITCH 0.40 SMT TYPE	1:1	mm	1/2
								DRAWING NO.	R-S160U-0	REV	0.2

深圳市山谷道电子有限公司