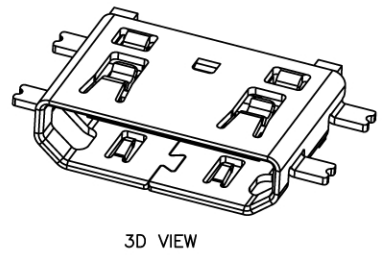
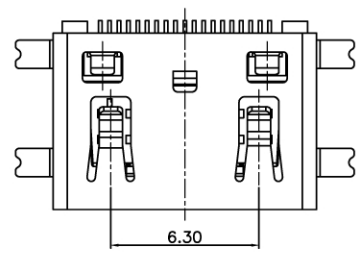


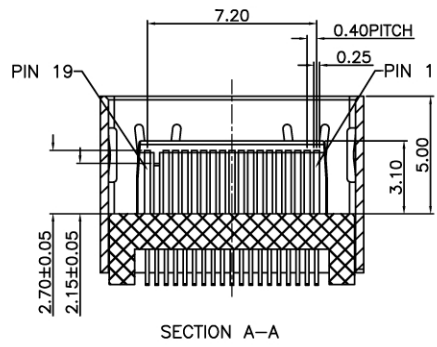
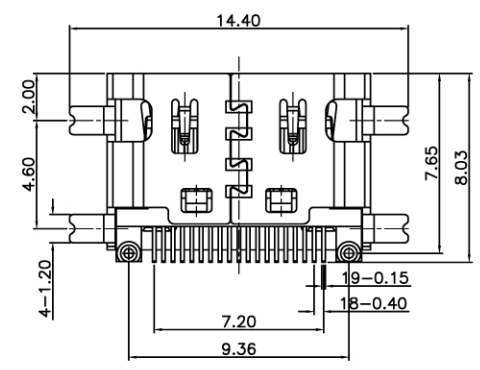
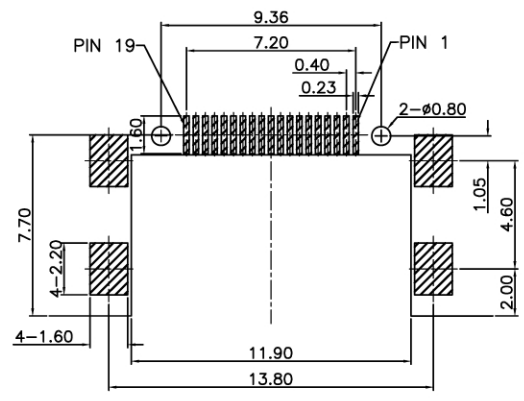
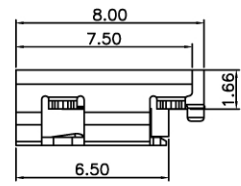
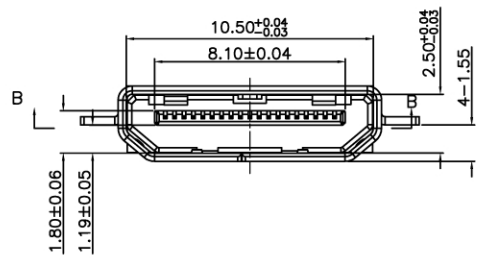
REV.	REVISOR NOTE	DATE
A	NEW DESIGN	2011-04-19



NOTES:

- MATERIAL:
 - SHELL: COPPER ALLOY
 - HOUSING: HIGH TEMPERATURE THERMOPLASTIC UL94V-0
 - TERMINAL: COPPER ALLOY
- PLATING:
 - TERMINAL: GOLD PLATED OVER NICKEL ON CONTACT AREA AND SEE P/N TABLE ON SOLDER TAILS
 - SHELL: SOLDERABLE NICKEL PLATED
- P/N: HD11-10X-00X1

TERMINAL PLATING CODE: MARK CODE:
 A: CONTACT AREA: GOLD FLASH 0: WITHOUT MARK
 SOLDER AREA: MATTE TIN 100u" 1: WITH "KALER" MARK
 B: CONTACT AREA: 5u" GOLD
 SOLDER AREA: MATTE TIN 100u"
 C: CONTACT AREA: 15u" GOLD
 SOLDER AREA: MATTE TIN 100u"
 1: CONTACT AREA: GOLD FLASH
 SOLDER AREA: GOLD FLASH
 2: CONTACT AREA: 5u" GOLD
 SOLDER AREA: GOLD FLASH
 3: CONTACT AREA: 15u" GOLD
 SOLDER AREA: GOLD FLASH



HDMI TYPE A PIN ASSIGNMENT

PIN	Signal Assignment
1	TMDS Data2 Shield
2	TMDS Data2+
3	TMDS Data2-
4	TMDS Data1 Shield
5	TMDS Data1+
6	TMDS Data1-
7	TMDS Data0 Shield
8	TMDS Data0+
9	TMDS Data0-
10	TMDS Clock Shield
11	TMDS Clock+
12	TMDS Clock-
13	DDC/CEC Ground
14	CEC
15	SCL
16	SDA
17	Utility
18	+5V Power
19	Hot Plug Detect

参考图档

SCALE	UNIT	DRAWN BY	DATE	深圳市山谷道电子有限公司 电话: 0755-27759859 传真: 0755-27759850
	MM	Candy	2011-04-19	
		SIZE		TITLE:
		A4		HDMI TYPE C FEMALE SMT TYPE
GENERAL TOLERANCES (UNLESS SPECIFIED)		CHECKED BY	DATE	DRAWING NO.
$X \pm 0.38$ $X' \pm 2'$ $.XX \pm 0.25$ $.X' \pm 1'$		Stone	2011-04-19	PART NO.
		APPROVED BY	DATE	
		Karl	2011-04-19	CUSTOMER DRAWING
				SHEET 1 OF 1
				Rev. A