

REV.	DESCRIPTION	APPD	DATE
	滑块底部加避位槽	杨凯	0112'10
	主体金手指侧面增加避位	杨凯	0324'10

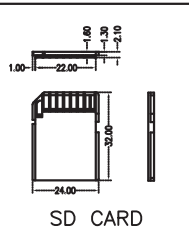
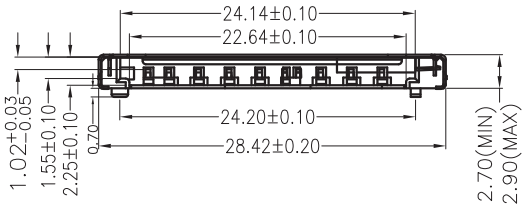
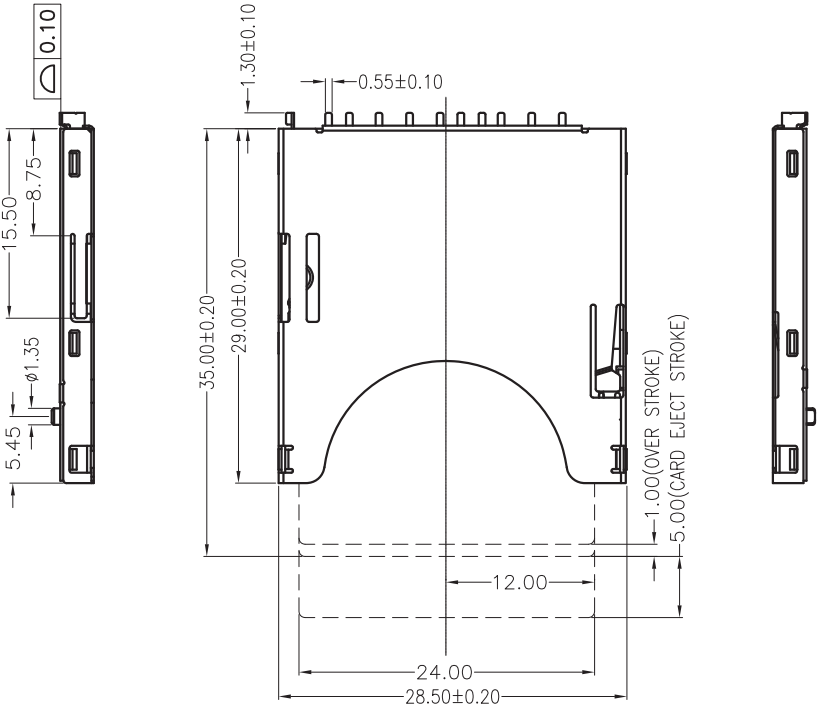
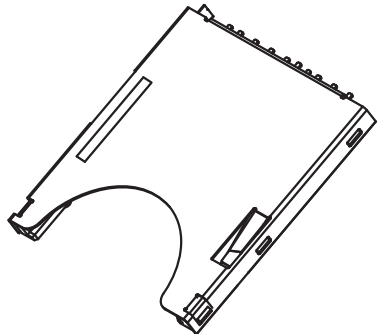
NOTES:

- MATERIAL:  
HOUSING: HIGH TEMPERATURE THERMOPLASTIC UL94V\_0,COLOR:BLACK.  
CONTACT: COPPER ALLOYS.  
COVER: COPPER ALLOYS OR STEEL.
- PLATING:  
UNDERPLATE: NICKEL.  
CONTACT AREA: GOLD OVER NICKEL.  
SOLDER AREA: TIN OVER NICKEL.
- MULTIMEDIA CARD COMPATIBLE

订购须知

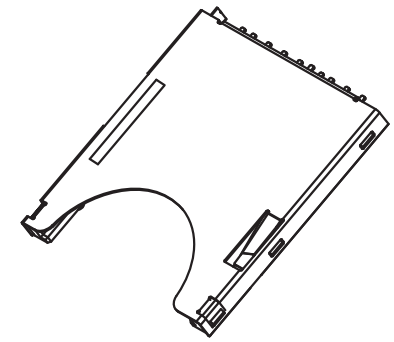
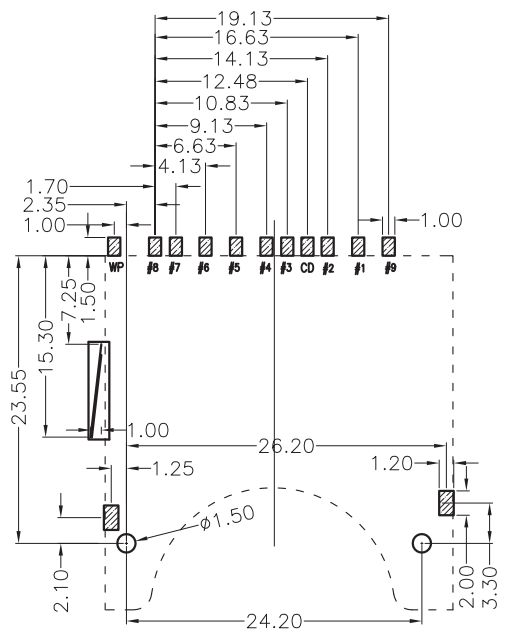
P/N: SDPF1-EBS1-130X

- 1: 外壳有孔
- 4: 外壳无孔

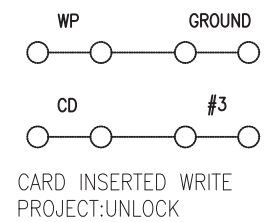
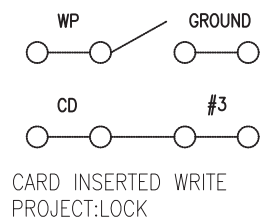
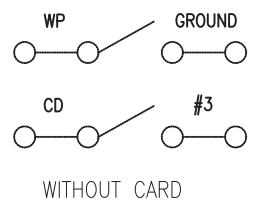


PART NO: SDPF1-EBS1-131X		MATERIAL:		深圳市山谷道电子有限公司 sgdconn electronics co., Ltd	
LOT NO: X1XXX00110		FINSH:			
UNIT: MM	SIZE: A4	COLOR:		TITLE: SD PUSH卡座	
TOLERANCES: X.X=±0.35 X.XX=±0.25 X.XXX=±0.15		GENERAL ANGLE: X.X=±5.0° X.XX=±3.0°		DR: 杨凯 06/26/09	DWG NO: FP-090015
APP:		CHK:	APP:	SCALE: 1:1	REV: B/3
			SHEET: 1 OF 3		

REV.	DESCRIPTION	APPD	DATE

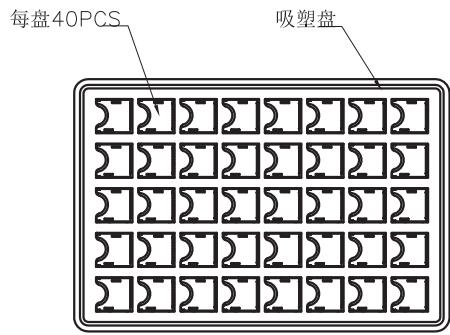


SD CARD PIN DESIGN			
PIN NO.	NAME	TYPE	DESCRIPTION
#1	CD/DAT3	I/O/PP	CARD DETECT/DATA LINE(BIT3)
#2	CMD	PP	COMMAND/RESPONSE
#3	VSS1	S	SUPPLY VOLTAGE GROUND
#4	VDD	S	SUPPLY VOLTAGE
#5	CLK	I	CLOCK
#6	VSS2	S	SUPPLY VOLTAGE GROUND
#7	DAT0	I/O/PP	DATA LINE(BIT 0)
#8	DAT1	I/O/PP	DATA LINE(BIT 1)
#9	DAT2	I/O/PP	DATA LINE(BIT 2)



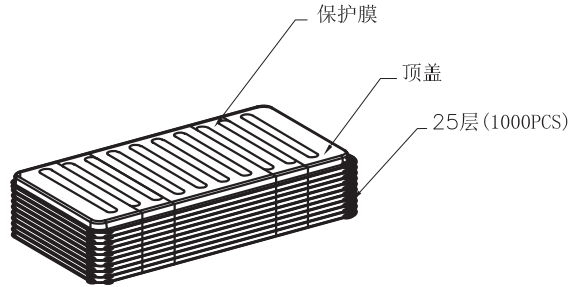
PART NO: SDPF1-EBS1-131X		MATERIAL:		深圳市山谷道电子有限公司 sgdconn electronics co.,Ltd	
LOT NO: X1XX100110		FINSH:			
UNIT: MM	SIZE: A4	COLOR:		TITLE: SD PUSH卡座	
TOLERANCES: X.X=±0.35 X.XX=±0.25 X.XXX=±0.15		GENERAL ANGLE: X.X=±5.0° X.XX=±3.0°		DR: 杨凯 08/26/09	REV: B/3
APP:		CHK:	DWG NO: FP-090015	SCALE: 1:1	SHEET: 2 OF 3

REV.	DESCRIPTION	APPD	DATE

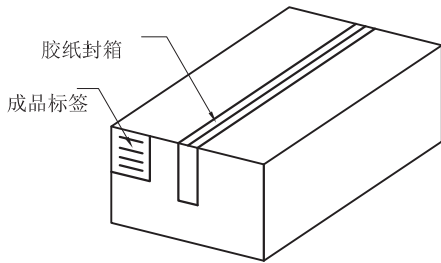


吸塑盘规格: 320\*215\*10

NO. 1

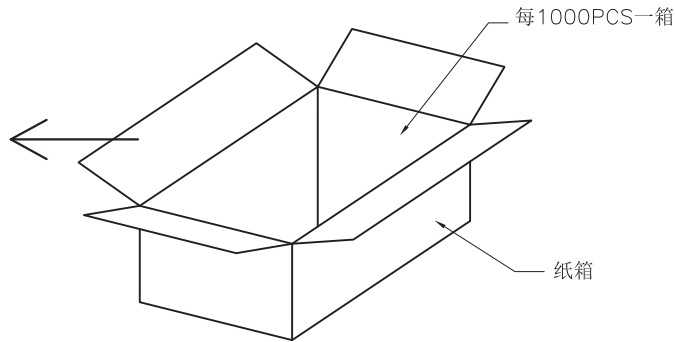


NO. 2



纸箱规格: 340\*240\*150

NO. 4



NO. 3

1. 材质要求:
  - 1.1 纸箱的材质为B=B; 外形尺寸为34\*24\*15CM;
  - 1.2 PS盘的材质为PS, PS盘的外形尺寸320\*215\*10MM;
2. 包装要求:
  - 2.1 每一盘装40PCS;
  - 2.2 每25盘累叠在一起, 共计1kset; 上面需放一个空盘, 后用PE膜缠绕;
  - 2.3 把累叠好的PS盘放入纸箱中;
  - 2.4 把包装好的成品打包封箱, 并在纸箱中贴上标签;

PART NO: SDPF1-EBS1-131X		MATERIAL:		深圳市山谷道电子有限公司 sgdconn electronics co., Ltd	
LOT NO: X1XX100110		FINSH:			
UNIT: MM	SIZE: A4	COLOR:		TITLE: SD PUSH卡座	
TOLERANCES: X.X=±0.35 X.XX=±0.25 X.XXX=±0.15		GENERAL ANGLE: X.X=±5.0° X.XX=±3.0°		DR: 杨凯 08/26/09	DWG NO: FP-090015
				CHK:	
				APP:	SCALE: 1:1
				SHEET: 3 OF 3	

