

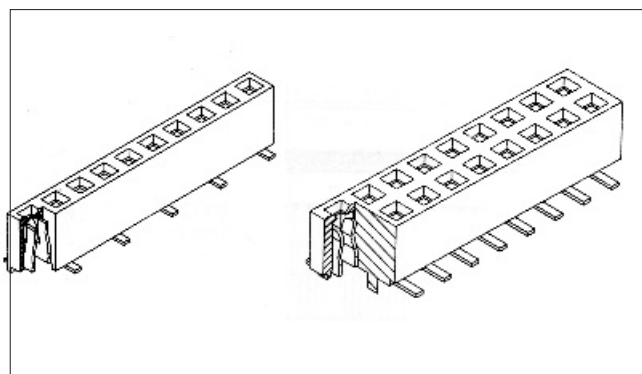
Female Header
Single Row/ Dual Row
Straight SMT Type

Pitch: 2.00 x 2.00mm

Series
222 ~224
226 /228

sgdconn

[Http://www.sgdconn.com](http://www.sgdconn.com)

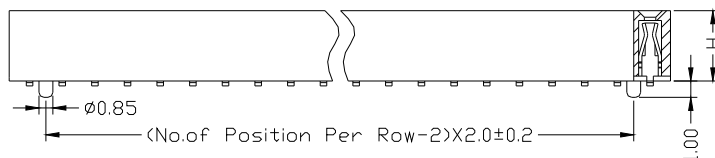
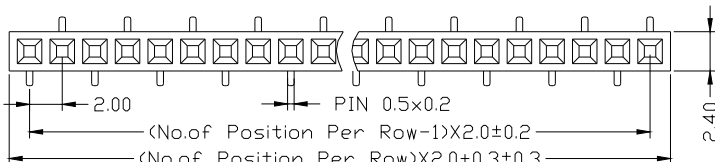
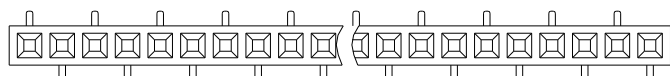


SPECIFICATIONS:

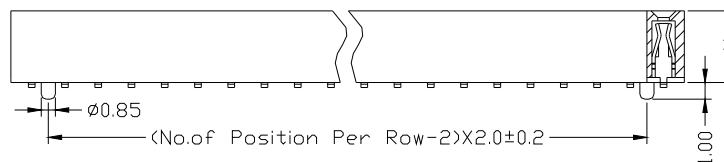
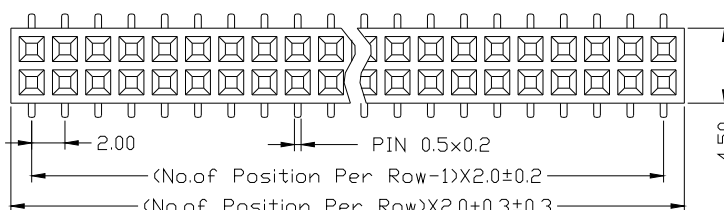
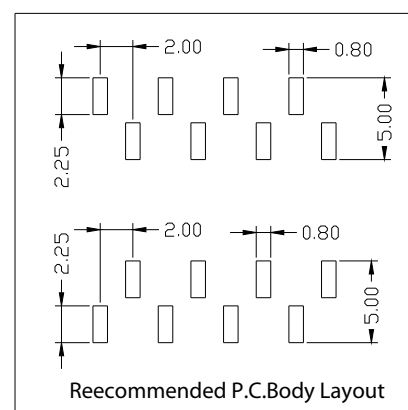
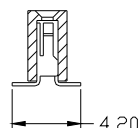
Current Rating: 2.0 AMP
Contact Resistance: 30mΩ Max
Insulation Resistance: 1000MΩ Min
Withstand Voltage: 500VAC/minute
Operation Temperature: -40°C to +105°C

MATERIALS:

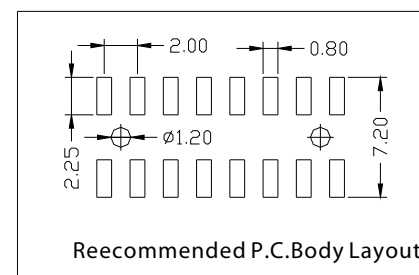
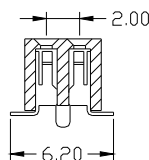
Contact Material: Copper Alloy
Contact Plating: Gold or Tin over 50μ Ni
Insulator: Glass Filled Polyester (UL94V-0)
Standard: PA 46



H = 2.20mm
H = 3.80mm
H = 4.00mm
H = 4.30mm
H = 4.60mm



H = 2.20mm
H = 3.80mm
H = 4.00mm
H = 4.30mm
H = 4.60mm



Ordering Code

① ② ③ ④ ⑤ ⑥ ⑦ ⑧ ⑨ ⑩
2 2 X X XX M X X 1 0

① Series No.:
2= Female Header

③ Insulator Height:
2 = 2.2mm
3 = 3.8mm
4 = 4.3mm
6 = 4.6mm
8 = 4.0mm

② Pitch: ≥ 2.00mm

④ Dip Spacing:
1=Single row
2=Double row

⑤ Number of Contacts:
Single row ∅1 to 40
Double row=02 80

⑥ Tail & Mounting Style:
M= Straight SMT type

⑦ Contact Plated
0= Tin
1= Gold Flash
2= Gold 3u"
3= Gold 5u"
4= Gold 10u"
5= Gold 15u"
6= Gold 30u"

⑧ Material Type
0= PPS
1= PBT
2= LCP
3= Nylon-66
4= Nylon-6T
5= PA46

⑨ Color: 1= Black

⑩ Customer Request

Due to technical progress, all the information provided is subject to change without prior notice.