

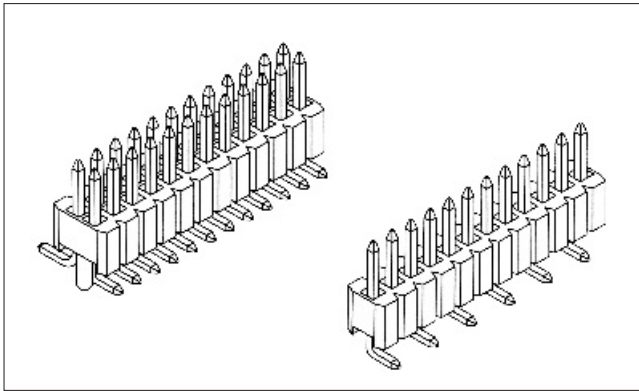
Pin Header
Single Row/ Dual Row
Straight S.M.Type

Pitch:1.27mm

Series
331 ~333
335 ~339

sgdconn

Http://www.sgdconn.com

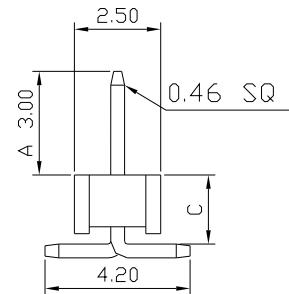
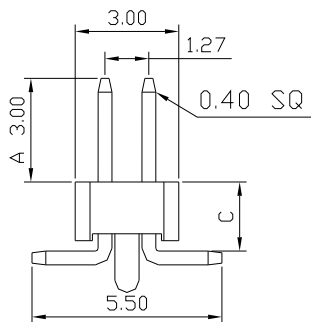
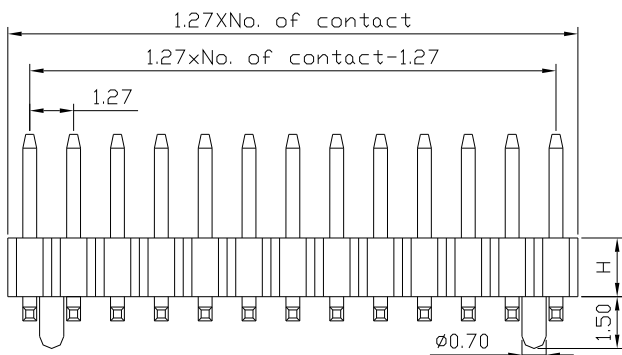
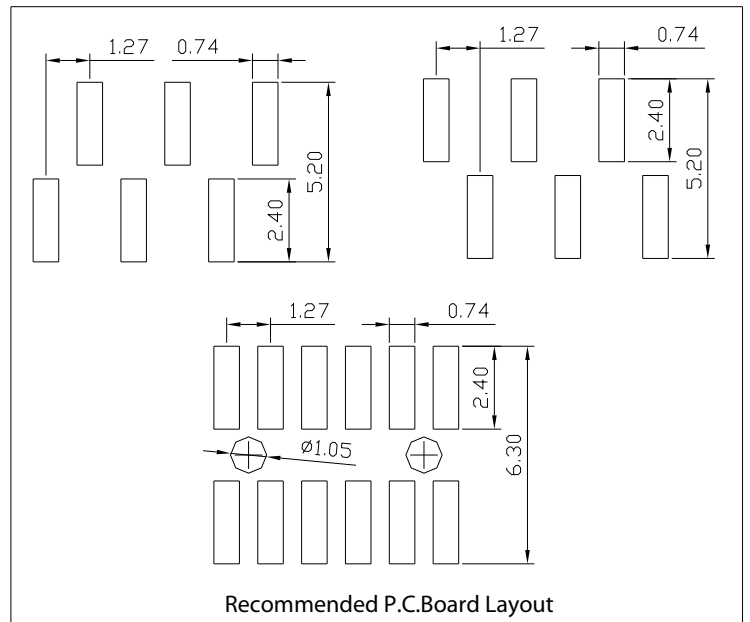
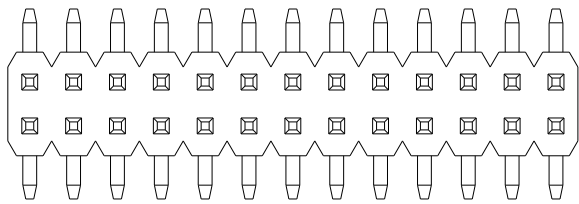
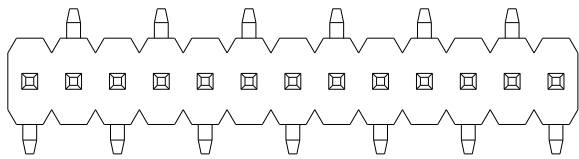
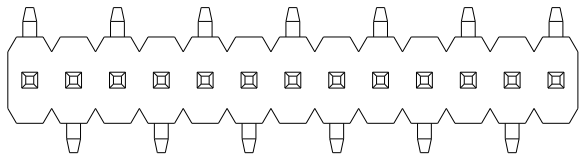


SPECIFICATIONS:

Current Rating: 1.0 AMP
Contact Resistance: 30mΩ Max
Insulation Resistance: 1000MΩ Min
Withstand Voltage: 300VAC/minute
Operation Temperature: -40°C to +105°C

MATERIALS:

Contact Material: Copper Alloy
Contact Plating: Gold or Tin over 50μm Ni
Insulator Material: Polyester(UL94V-0)
Standard: PA 46



Ordering Code

① ② ③ ④ ⑤ ⑥ ⑦ ⑧ ⑨ ⑩
3 3 X X XX M X X 1 XXX

- ① Series No.:
3= Pin Header
- ② Pitch: 3= 1.27mm
- ③ Insulator Height:
1 = 1.00mm 2 = 2.00mm
3 = 2.50mm 5 = 1.50mm
6 = 1.60mm 7 = 1.70mm
8 = 0.80mm 9 = 0.65mm

- ④ Dip Spacing:
1=Single row
2=Double row
- ⑤ Number of Contacts:
Single row=01 to 40
Double row=02 to 80
- ⑥ Tail& Mounting Style:
M=Straight S.M.T type
- ⑦ Contact Plated
0=Tin
1=Gold Flash
2=Gold 3u"
3=Gold 5u"
4=Gold 10u"
5=Gold 15u"
6= Gold 30u"
- ⑧ Material Type
2=LCP
3=Nylon-66
4=Nylon-6T
5=PA46
- ⑨ Tiers of Body
1 = Single tier
2 = Double tier
3 = Triple tier
- ⑩ Pin Length
XXX=A+C

Due to technical progress, all the information provided is subject to change without prior notice.