

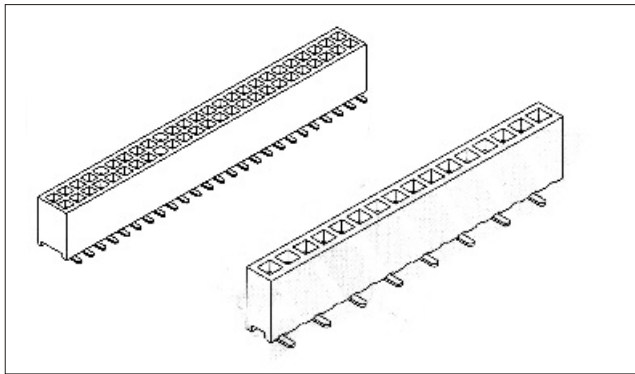
Female Header
Single Row/ Dual Row
Straight SMT Type

Pitch: 1.27mm

Series
232 /233
234 /235

sgdconn

Http://www.sgdconn.com

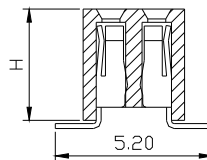
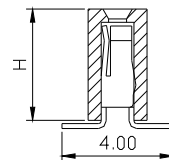
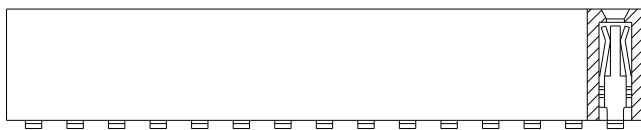
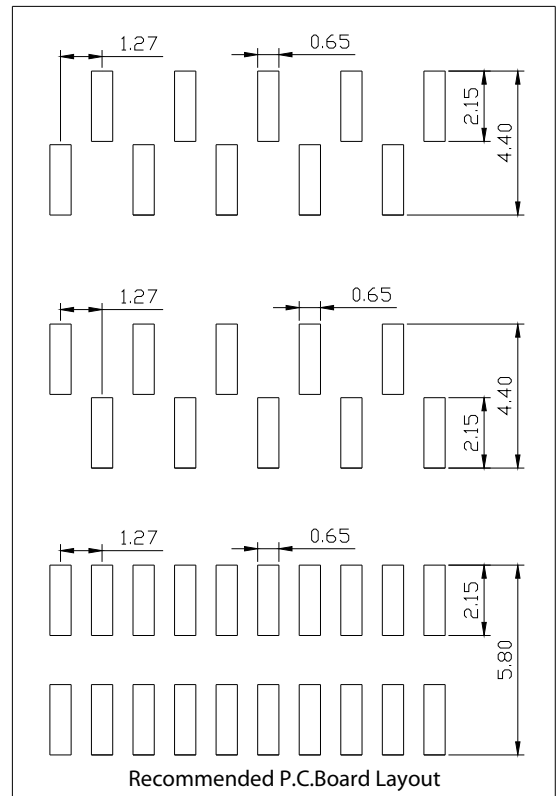
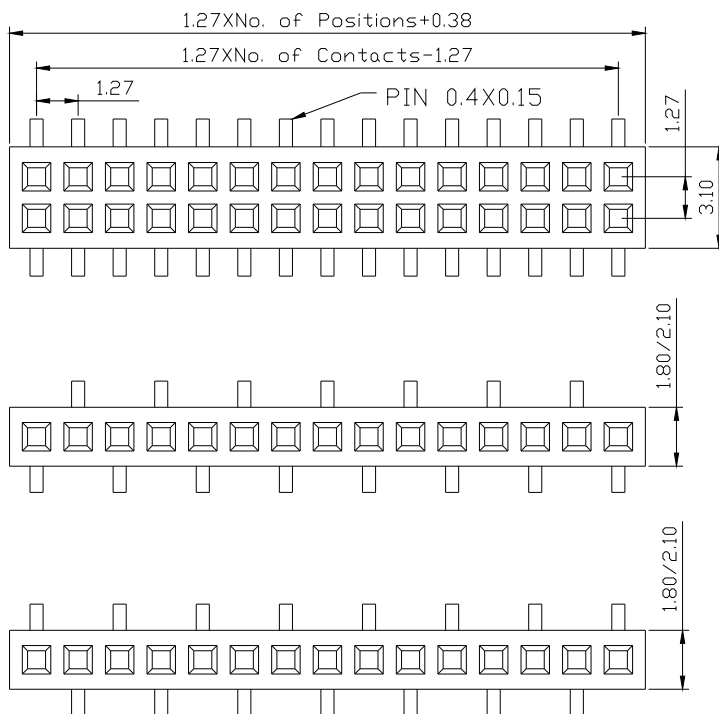


SPECIFICATIONS:

Current Rating: 1.0 AMP
Contact Resistance: 30mΩ Max
Insulation Resistance: 1000MΩ Min
Withstand Voltage: 300VAC/minute
Operation Temperature: -40°C to +105°C

MATERIALS:

Contact Material: Copper Alloy
Contact Plating: Gold or Tin over 50μ" Ni
Insulator Material: Polyester(UL94V-0)
Standard: PA 46



H = 2.0mm
H = 3.4mm
H = 4.3mm
H = 4.4mm

Ordering Code

① ② ③ ④ ⑤ ⑥ ⑦ ⑧ ⑨ ⑩
2 3 X X XX M X X 1 0

① Series No.:
2= Female Header

③ Insulator Height:
2 = 2.0mm
3 = 3.4mm
4 = 4.3mm
5 = 4.4mm

② Pitch: 3= 1.27mm

④ Dip Spacing:
1=Single row
2=Double row

⑤ Number of Contacts:
Single row ① to 40
Double row=02 t④2

⑥ Tail & Mounting Style:
M= Straight SMT type

⑦ Contact Plated
0= Tin
1= Gold Flash
2= Gold 3u"
3= Gold 5u"
4= Gold 10u"
5= Gold 15u"
6= Gold 30u"

⑧ Material Type
0= PPS
1= PBT
2= LCP
3= Nylon-66
4= Nylon-6T
5= PA46

⑨ Color: 1= Black

⑩ Customer Request

Due to technical progress, all the information provided is subject to change without prior notice.