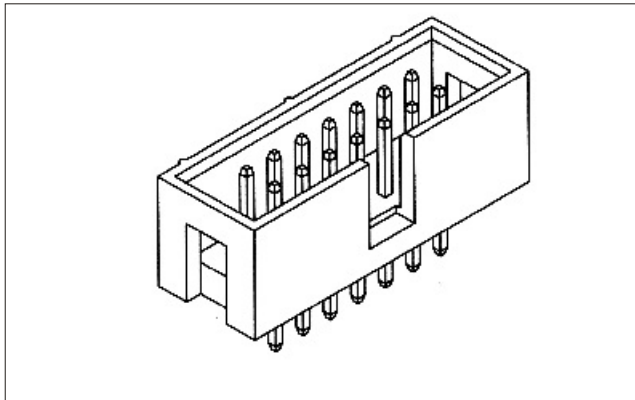


Box Header Pitch:2.54 x2.54mm  
S.M.T Type/ StraighDip Type  
RightAngle Dip Type

Series  
301

**sgdconn**

Http://www.sgdconn.com



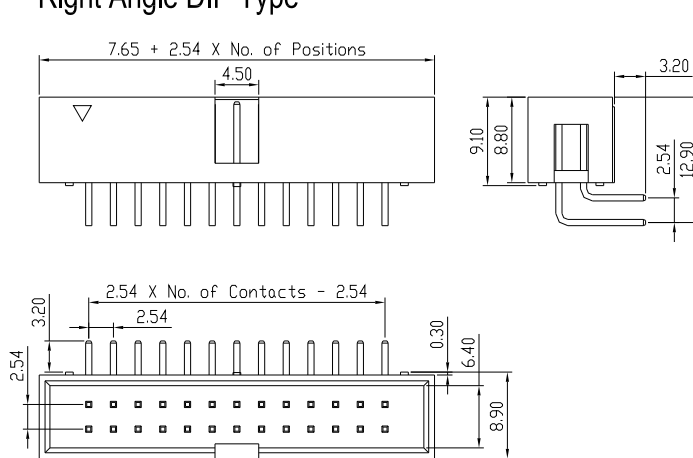
**SPECIFICATIONS:**

Current Rating: 3.0 AMP  
Contact Resistance: 30m• Max  
Insulation Resistance: 1000M• Min  
Withstand Voltage: 600VAC/minute  
Operation Temperature: -40°C to +105°C

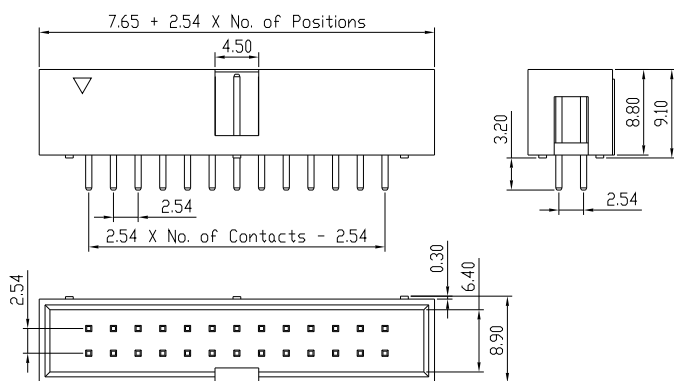
**MATERIALS:**

Contact Material: Copper Alloy  
Contact Plating: Gold or Tin over 50μ " Ni  
Insulator: Glass Filled Polyester(UL94V-0)  
Standard: PBT

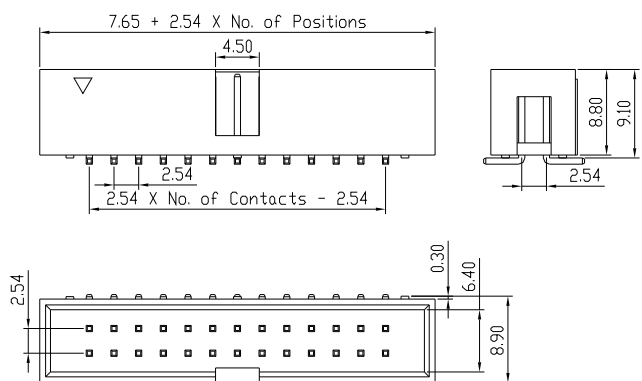
**Right Angle DIP Type**



**Straight DIP Type**



**S.M.T Type**



**Ordering Code**

①②③④⑤⑥⑦⑧⑨  
30 2 5 XX X 0 X X 0

- ① Series No.:  
30 = BoxHeader  
39 = EjectoHeader
- ② Pitch:  
1 = 2.54 x2.54mm

- ③ Insulator Height:  
0 = Straight
- ④ Number of Contacts:  
10 Pin -64 Pin
- ⑤ Tail & Mounting Style:  
S= Straight Dip Type  
R= Right Angle Dip Type
- ⑥ Contact Plated  
0= Tin  
1= Gold Flash  
2= Gold 3u"  
3= Gold 5u"  
4= Gold 10u"  
5= Gold 15u"  
6= Gold 30u"
- ⑦ Material Type  
0= PPS  
1= PBT  
2= LCP  
3= Nylon-66  
4= Nylon-6T  
5= PA46
- ⑧ Color:  
B= Black  
U= Blue  
R= Red  
W= White  
Y= Yellow  
G= Grey
- ⑨ Customer Request

Due to technicprogress, all the information provided is subject to change without prior notice.