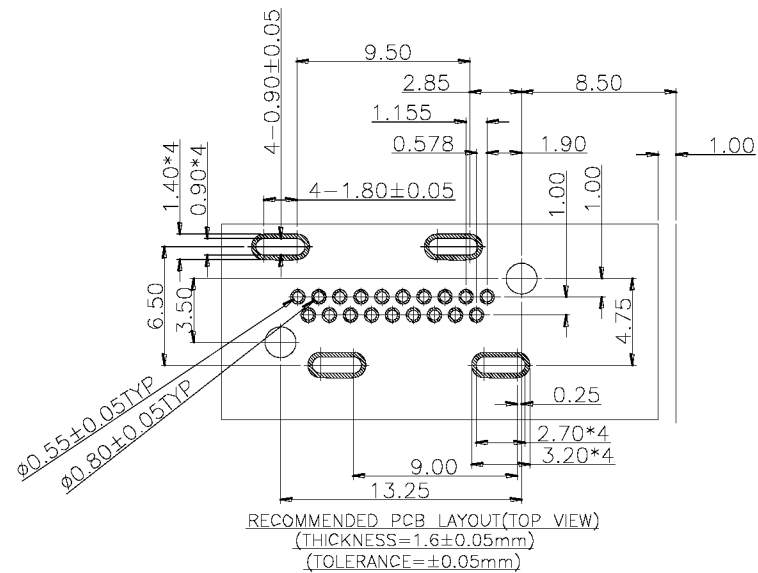
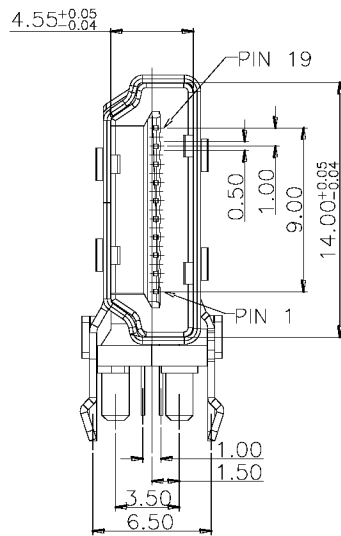
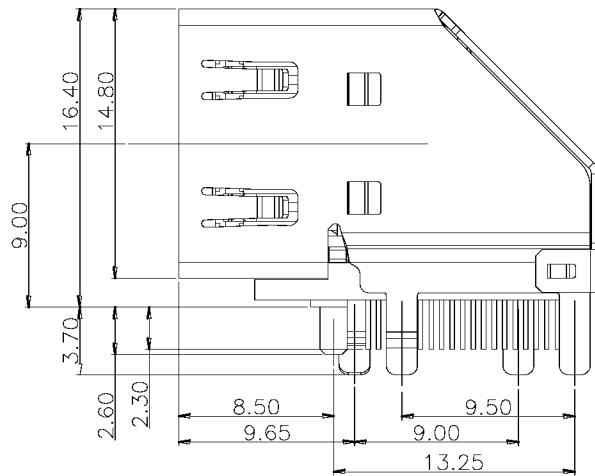
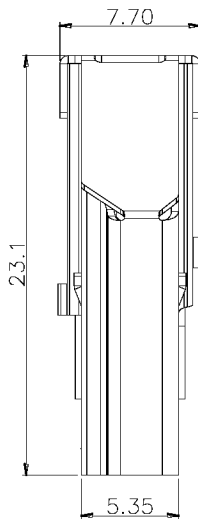


3D VIEW

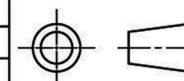


- NOTES:
1. MATERIAL:
 - 1.1 SHELL: STAINLESS STEEL
 - 1.2 HOUSING: HIGH TEMPERATURE THERMOPLASTIC UL 94V-0 RATED
 - 1.3 CONTACT: COPPER ALLOY
 2. PLATING:
 - 2.1 CONTACT: GOLD PLATED OVER NICKEL ON CONTACT AREA AND GOLD FLASH OVER NICKEL ON SOLDER TAILS
 - 2.2 SHELL: SOLDERABLE NICKEL PLATED OR GOLD PLATED

深圳市山谷道电子有限公司

HDMI 19P 侧插式-HD-057

Customer:	Approval	Check	Drawn	Unit	Scale	Date
Drawing No:			babm	mm		



P/No:	
Pin Longer	
Signature	