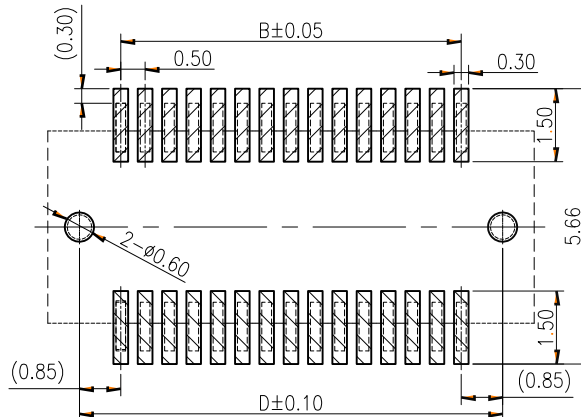
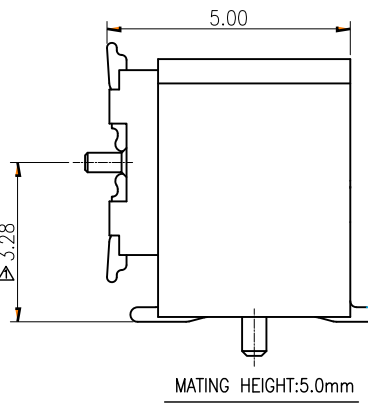
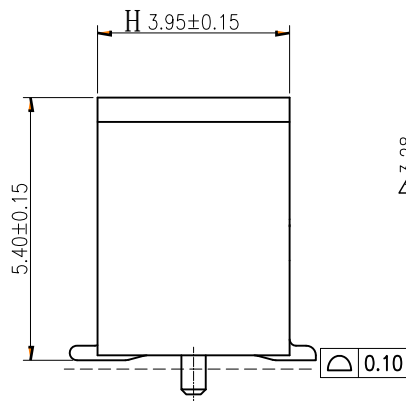


3D VIEW



RECOMMENDED PCB PATTERN DIM.

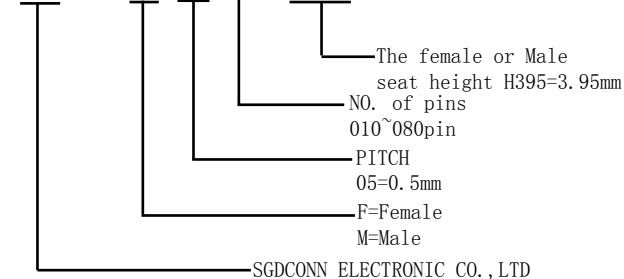
TOLERANCE : ±0.05

|     |                      |           |            |
|-----|----------------------|-----------|------------|
| 警告  | 加标公母配合后中心高尺寸         | Kavin     | 2018.01.19 |
| 修订  | 修改摘要                 | 签名        | 日期         |
| SER | REVISION DESCRIPTION | SIGNATURE | DATE       |

NOTES:

- HUOSING: LCP HIGH-TEMP THERMOPLASTIC UL94V-0 COLOR:BEIGE
- TERMINAL:BRASS BRONZE  
PLATING:1\*''GOLD FLASH OVERALL 50~100\*''NICKEL UNDER PLATED.
- CODING INFORMATION:

SGD-CC-BF-05-\*\*-P-H395



| NO.of contacts | Dimensions |       |       |       |
|----------------|------------|-------|-------|-------|
|                | A.         | B.    | C.    | D.    |
| 10             | 5.00       | 2.00  | 4.02  | 3.70  |
| 12             | 5.50       | 2.50  | 4.52  | 4.20  |
| 14             | 6.00       | 3.00  | 5.02  | 4.70  |
| 16             | 6.50       | 3.50  | 5.52  | 5.20  |
| 18             | 7.00       | 4.00  | 6.02  | 5.70  |
| 20             | 7.50       | 4.50  | 6.52  | 6.20  |
| 22             | 8.00       | 5.00  | 7.02  | 6.70  |
| 24             | 8.50       | 5.50  | 7.52  | 7.20  |
| 30             | 10.00      | 7.00  | 9.02  | 8.70  |
| 40             | 12.50      | 9.50  | 11.52 | 11.20 |
| 50             | 15.00      | 12.00 | 14.02 | 13.70 |
| 60             | 17.50      | 14.50 | 16.52 | 16.20 |
| 80             | 22.50      | 19.50 | 21.52 | 21.20 |



深圳市山谷道电子有限公司  
SHENZHEN SHANGDAO ELECTEONIC CO., LTD

一般公差  
GENERAL TOLERANCE  
.X ±0.25  
.XX ±0.15  
.XXX ±0.05  
ANGLES ±1°

|            |                     |              |                        |
|------------|---------------------|--------------|------------------------|
| 制图 (DR):   | Kavin<br>2017.11.22 | 品名(TITLE):   | 0.5mm 侧插BTB SOCKET     |
| 审核 (CHKD): |                     | 料号(PART NO): | SGD-CC-BF-05-**-P-H395 |
| 版本 (REV):  | B                   | 比例(SCALE):   | 1:8                    |
| 核准 (APPD): |                     | 单位(UNITS):   | mm                     |
|            |                     | 张数(SHEET):   | 1 OF 1                 |
|            |                     | 图幅(SIZE):    | A4                     |