

NOTE:

1. MATERIAL:

HOUSING: HIGH TEMPERATURE THERMOPLASTIC(UL94V-0), COLOR: NATURAL.

CONTACTS: COPPER ALLOY.

PEG: COPPER ALLOY.

ACTUATOR: HIGH TEMPERATURE THERMOPLASTIC(UL94-V0).

2. RATING:

OPERATING VOLTAGE: 50Vrms AC.

CURRENT RATING: 0.5A.

OPERATING TEMPERATURE: -55°C~+85°C.

OPERATING HUMIDITY RANGE: RELATIVE HUMIDITY 90% MAX.(NO CONDENSATION)

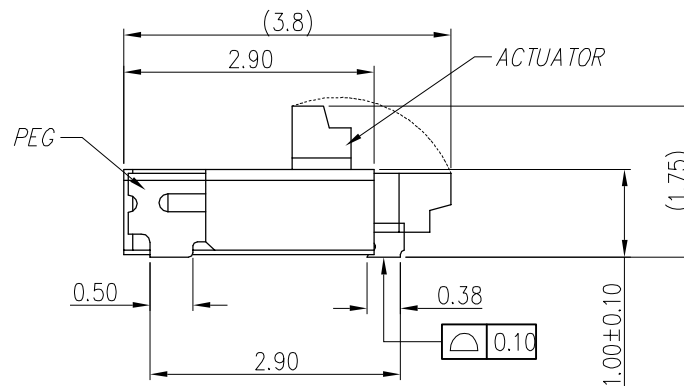
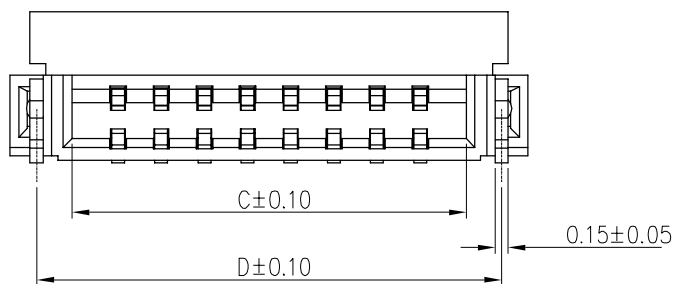
STORAGE TEMPERATURE RANGE: -10°C~+50°C.

STORAGE HUMIDITY RANGE: RELATIVE HUMIDITY 90% MAX.(NO CONDENSATION)

3.Pater Number:

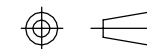
FPC 05 09 **RL TA G

- G=Gold flash
- 3=3U" AU 10=10U"AU
- 5=5U" AU 15=15U"AU
- TA: Tape Reel Packing
- TU: Tube Packing
- Right Angle Double Contact Type
- NO. of contacts
- Series name
- Pitch=0.5mm
- FPC Series



山谷道

深圳市山谷道电子有限公司

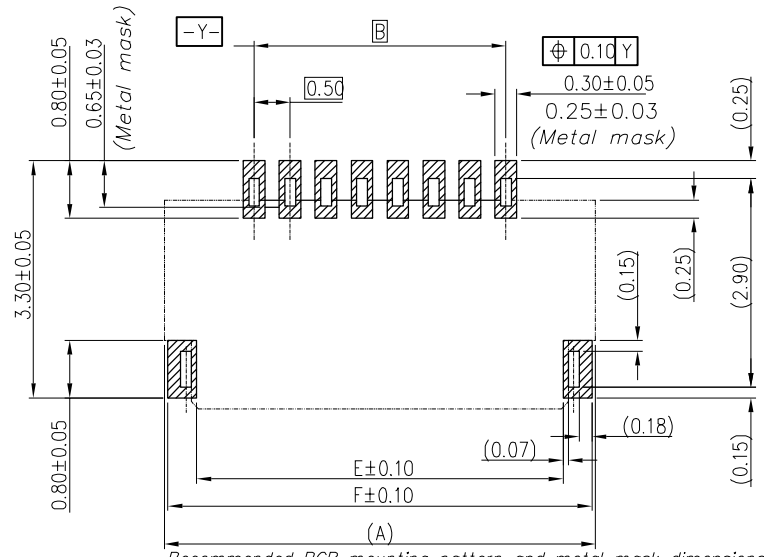


TITLE: FPC 0.5Pitch 1.0H ZIF
產品名稱: R/A Connector

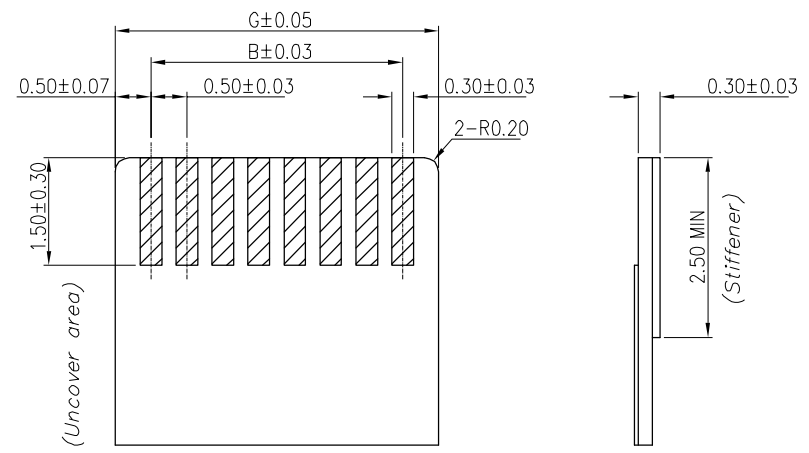
X.X ±0.30	X.X* ±5°
X.XX ±0.20	X.XX* ±2°
X.XXX ±0.10	X.XXX* ±1°

APPD: 核准:	
CHECK: 校對:	
DRAW: 繪圖:	LIUPENG

DWG NO: 產品料號:	FPC0509-**-RL-TAG		
DATE	SCALE	UNIT	PAGE
20111209	1:1	mm	1/2



Recommended PCB mounting pattern and metal mask dimensions
Recommended metal mask thickness: t=0.1



Recommended FPC/FFC Dimensions

50	27.00	24.50	25.57	26.39	26.10	26.90	25.50
45	24.50	22.00	23.07	23.89	23.60	24.40	23.00
40	22.00	19.50	20.57	21.39	21.10	21.90	20.50
34	19.00	16.50	17.57	18.39	18.10	18.90	17.50
32	18.00	15.50	16.57	17.39	17.10	17.90	16.50
30	17.00	14.50	15.57	16.39	16.10	16.90	15.50
26	15.00	12.50	13.57	14.39	14.10	14.90	13.50
24	14.00	11.50	12.57	13.39	13.10	13.90	12.50
23	13.50	11.00	12.07	12.89	12.60	13.40	12.00
22	13.00	10.50	11.57	12.39	12.10	12.90	11.50
20	12.00	9.50	10.57	11.39	11.10	11.90	10.50
16	10.00	7.50	8.57	9.39	9.10	9.90	8.50
14	9.00	6.50	7.57	8.39	8.10	8.90	7.50
12	8.00	5.50	6.57	7.39	7.10	7.90	6.50
11	7.50	5.00	6.07	6.89	6.60	7.40	6.00
10	7.00	4.50	5.57	6.39	6.10	6.90	5.50
8	6.00	3.50	4.57	5.39	5.10	5.90	4.50
7	5.50	3.00	4.07	4.89	4.60	5.40	4.00
6	5.00	2.50	3.57	4.39	4.10	4.90	3.50
4	4.00	1.50	2.57	3.39	3.10	3.90	2.50
Number of Contacts	DIM A	DIM B	DIM C	DIM D	DIM E	DIM F	DIM G

A	NEW DRAWING		LIU	02/27'13
REV	DESCRIPTION	ECN.NO	BY	DATE

山谷道

深圳市山谷道电子有限公司

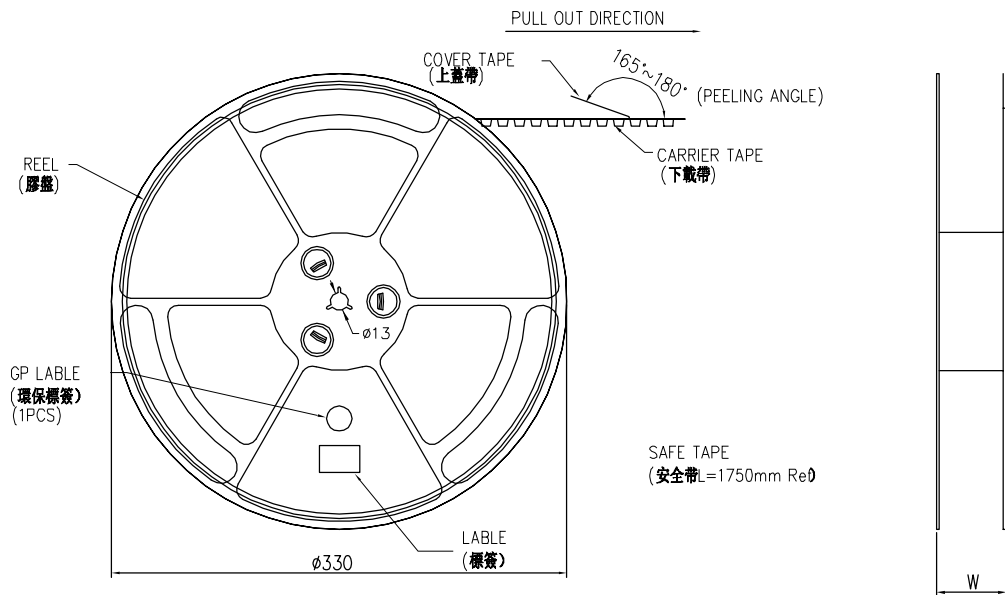
TITLE: FPC 0.5Pitch 1.0H ZIF
產品名稱: R/A Connector

DWG NO: FPC0509-**RL-TAG
產品料號:

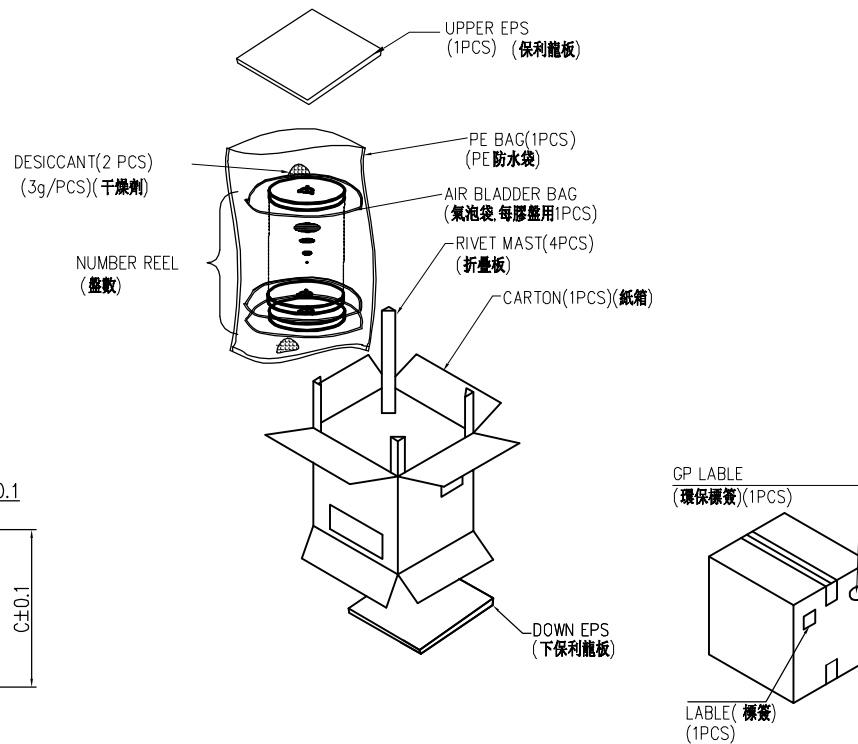
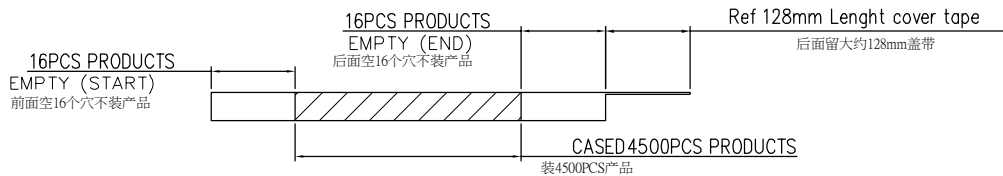
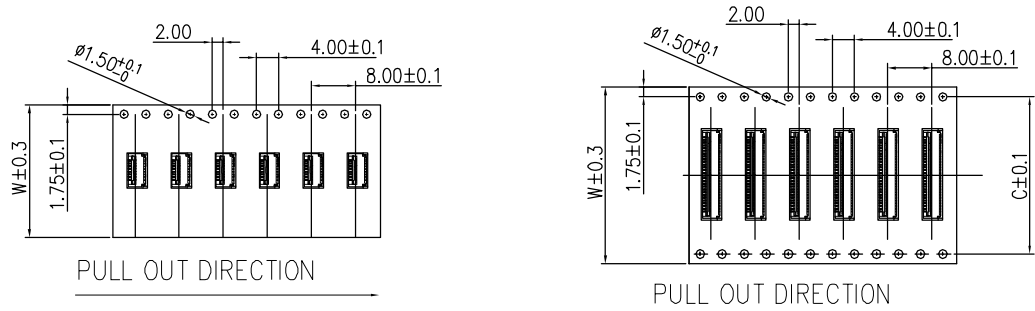
X.X ±0.30	X.X* ±5°	APPD: 核准:	DATE	SCALE	UNIT	PAGE
X.XX ±0.20	X.XX* ±2°	CHECK: 校對:	20111209	1:1	mm	2/2
X.XXX ±0.10	X.XXX* ±1°	DRAW: 繪圖: LIU				

NOTE:

- 1.10 Sprocket hole pitch cumulative tolerance ± 0.20 .
2. Carrier camber is within 1mm in 100mm.
3. Material: black conductive polystyrene alloy.
4. Material Thickness: 0.3 ± 0.05 mm.
5. All dimensions meet EIA-481-B requirements.
6. 5000pcs Pef Reel.
7. For tape width(dim W)16 and 24mm pilot holes are provided on one sides. For tape width(dim W)32, 44 and 56mm pilot holes are provided on both sides.



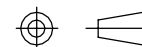
SCALE 1: 4



PIN NO.	W	C	PCS /REEL	REEL/CARTON	SUM(PCS)
04PIN~11PIN	16	-	4000	15	67500
12PIN~27PIN	24	-	4000	10	45000
28PIN~39PIN	32	28.4	4000	8	36000
40Pin~50PIN	44	40.4	4000	6	27000

山谷道

深圳市山谷道电子有限公司



TITLE: 0.5mm Pitch FPC Connector
產品名稱:

REV	DESCRIPTION	ECN.NO	BY	DATE
A	New Drawing		LIU	02/27*13

X.X	: ±0.30	X.X*	: ±5*
X.XX	: ±0.20	X.XX*	: ±2*
X.XXX	: ±0.10	X.XXX*	: ±1*

APPD:
核准:
CHECK:
校對:
DRAW:
繪圖: LIU

DWG NO:	DATE	SCALE	UNIT	PAGE
FPC0509-**-RL-TAG		1:1	mm	1/1