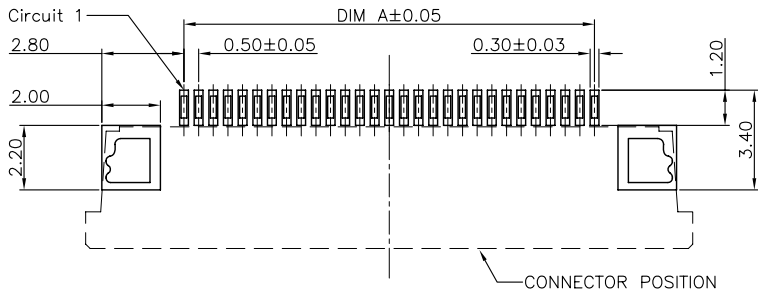
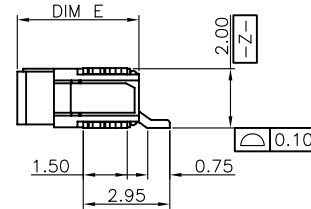
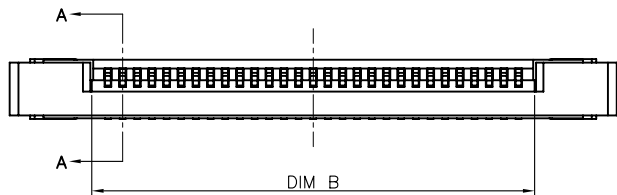
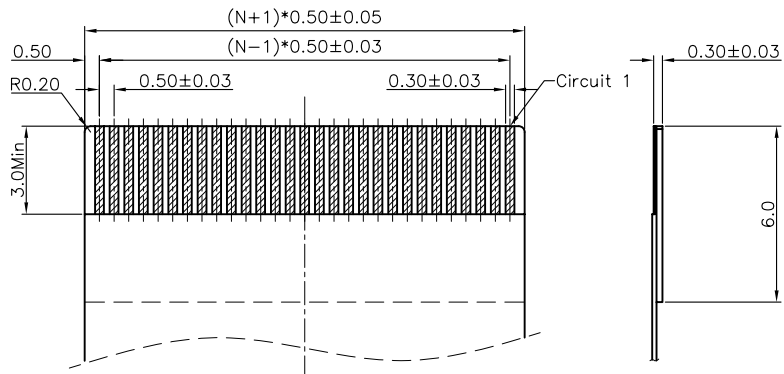


SECTION A-A
SCALE 1:1



RECOMMENDED P.C.B. PATTERN LAYOUT



RECOMMENDED FPC/FFC DIMENSION

Note:

1. Material:
 - 1.1 Housing: thermoplastic high temp.UL94V-0; Color: natural.
 - 1.2 Latch: thermoplastic high temp.UL94V-0; Color: black.
 - 1.3 Terminal: copper alloy.
 - 1.4 Fitting Nail: copper alloy.

2. Finish:

- 2.1 Terminal: Underplating: Au/matt Tin overall.
- 2.2 Fitting Nail: Underplating: matt Tin overall.

3. Product must comply HF RoHS specification.

4. Product No:

SGD07-S ** E * A - 00
 CKTS E * A - 00
 CONTACTS TYPE REMARKS
 E:Upper HF:Halogen free
 F:Lower
 PLATING PACKING
 1:Matt-Tin 90-120u" A:Tape&Reel
 2:Gold flash 1u" C:Tube
 3:Gold flash 2u"
 B:Gold flash 3u"
 C:Bright-Tin 90-120u"

CKTS	DIM A	DIM B	DIM C	DIM D	DIM E	DIM F
4	1.50	2.60	6.80	8.20		
5	2.00	3.10	7.30	8.70		
6	2.50	3.60	7.80	9.20		
7	3.00	4.10	8.30	9.70		
8	3.50	4.60	8.80	10.20		
9	4.00	5.10	9.30	10.70		
10	4.50	5.60	9.80	11.20		
11	5.00	6.10	10.30	11.70		
12	5.50	6.60	10.80	12.20		
13	6.00	7.10	11.30	12.70		
14	6.50	7.60	11.80	13.20		
15	7.00	8.10	12.30	13.70		
16	7.50	8.60	12.80	14.20		
17	8.00	9.10	13.30	14.70		
18	8.50	9.60	13.80	15.20		
19	9.00	10.10	14.30	15.70	4.15	5.35
20	9.50	10.60	14.80	16.20		
21	10.00	11.10	15.30	16.70		
22	10.50	11.60	15.80	17.20		
23	11.00	12.10	16.30	17.70		
24	11.50	12.60	16.80	18.20		
25	12.00	13.10	17.30	18.70		
26	12.50	13.60	17.80	19.20		
27	13.00	14.10	18.30	19.70		
28	13.50	14.60	18.80	20.20		
29	14.00	15.10	19.30	20.70		
30	14.50	15.60	19.80	21.20		
31	15.00	16.10	20.30	21.70		
32	15.50	16.60	20.80	22.20		
33	16.00	17.10	21.30	22.70		
34	16.50	17.60	21.80	23.20		
35	17.00	18.10	22.30	23.70		
36	17.50	18.60	22.80	24.20		
37	18.00	19.10	23.30	24.70		
38	18.50	19.60	23.80	25.20		
39	19.00	20.10	24.30	25.70		
40	19.50	20.60	24.80	26.20		
41	20.00	21.10	25.30	26.70		
42	20.50	21.60	25.80	27.20		
43	21.00	22.10	26.30	27.70		
44	21.50	22.60	26.80	28.20		
45	22.00	23.10	27.30	28.70		
46	22.50	23.60	27.80	29.20		
47	23.00	24.10	28.30	29.70		
48	23.50	24.60	28.80	30.20		
49	24.00	25.10	29.30	30.70		
50	24.50	25.60	29.80	31.20		
51	25.00	26.10	30.30	31.70		
52	25.50	26.60	30.80	32.20		
53	26.00	27.10	31.30	32.70		
54	26.50	27.60	31.80	33.20		
55	27.00	28.10	32.30	33.70		
56	27.50	28.60	32.80	34.20		
57	28.00	29.10	33.30	34.70		
58	28.50	29.60	33.80	35.20		
59	29.00	30.10	34.30	35.70	4.70	5.90
60	29.50	30.60	34.80	36.20		

CUSTOMER DRAWING		山谷道 深圳市山谷道电子有限公司	
Tolerance Unspecified (未注公差):	Size (图幅):	Product Name (产品名称):	
0.0 ±0.15 0° ±5°	A4	0.5Pitch 1#=2.0 FPC ZIF R/A Upper Type2 SMT CONN	
0.00 ±0.10 0°0 ±3°	Unit (单位):	Product No (产品料号):	
0.000 ±0.05 0°00 ±1°	MM	SGD07-S**E1A-00	
Scale (比例):	Page (页数):	Designer (设计):	Checked (审核):
1 : 1	1 OF 1	Allan 12/04'13	Approved (核准):
Project View (投影视角):	Rev (版本):		
1 QF 1	A		

A	初版发行	2013/12/04	Allan
Rev 版本	Change Description 变更内容	Date 日期	Revisor 制/修订人